



PHONTECH Communication Systems

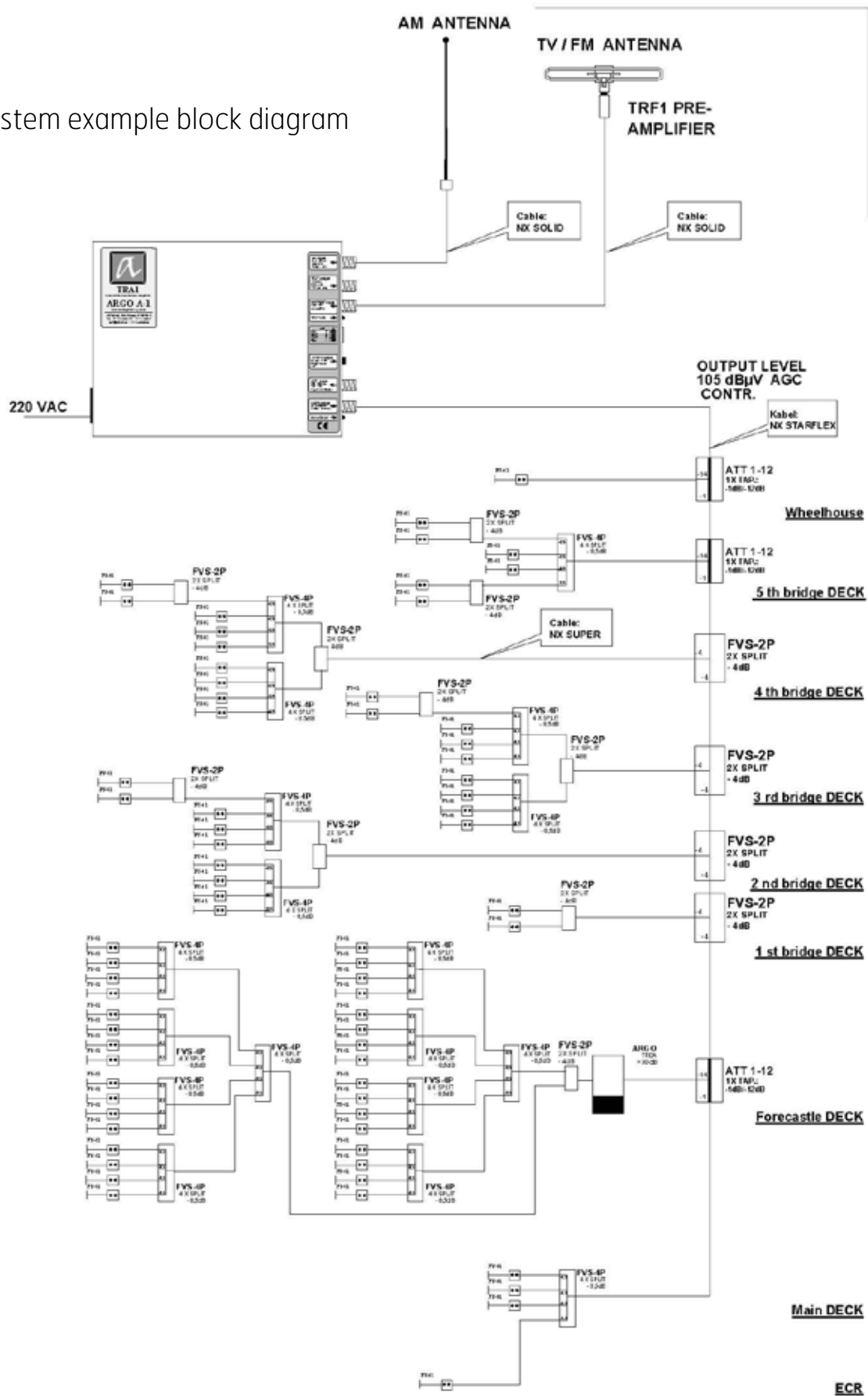
ARGO A1 - Marine Antenna Amplifier System



www.jotron.com

▶ ARGO-A1

System example block diagram



Argo system A-1 consists of TRF1 preamplifier and TRAI main AGC amplifier. The system is designed to receive, amplify and distribute broadcasted radio and TV signals at sea. TRAI have built-in 4 separate AGC controlled amplifiers, covering AM, FM, TV/VHF and TV/UHF. Each amplifier part can be individually switched on/off, and amplification can be individually adjusted. A green LED on main amplifier unit, indicates connection with preamplifier. TRAI is also equipped with a TEST output connector, where signal from antenna can be measured before AGC controlled. TRAI have inputs for AM antenna and TV/FM antenna, as well as input for Satellite / DVD (S – band area).

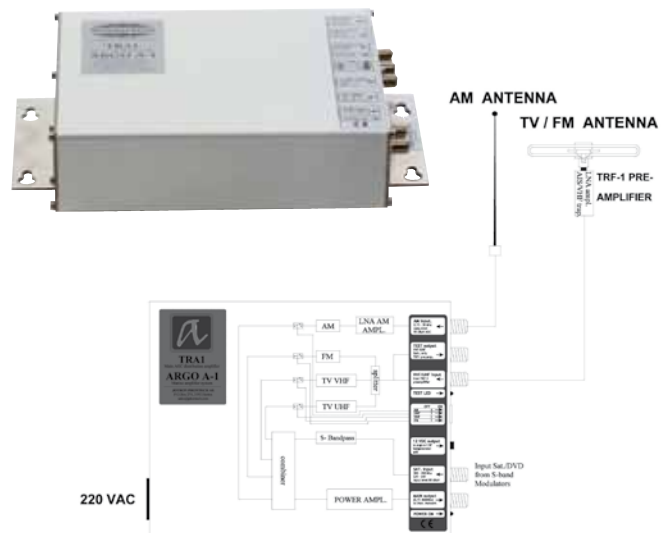
TRAI is capable of 40 antenna outlets in a network. Maximum outlets in cascade should not exceed 7-8, before sufficient splitters / tap off filters are used. For larger networks, distribution amplifier(s) ARGO TRDA must be installed.

Standard delivered antennas :

- E101 ,Etronic omnidirectional TV/FM antenna.
- AR82 ,Comrod AM whip antenna.

SPECIFICATIONS: TRAI

Amplification AM :	60dB
Frequency range AM :	0,15 – 30Mhz
AGC adjustment AM :	70dB
Output level AM :	95dBuV
Amplification FM :	60dB
Frequency range FM :	88 – 110Mhz
AGC adjustment FM :	70dB
Output level FM :	95dBuV
Amplification VHF:	70dB
Frequency range VHF:	47 – 230 Mhz
AGC adjustment VHF:	70dB
Output level VHF:	95dBuV
Amplification UHF:	70dB
Frequency range UHF:	470-860 Mhz
AGC adjustment UHF:	70dB
Output level UHF:	105dBuV
Frequency range Satellite:	300 – 450 Mhz (S20-S40)
Amplification Satellite:	10dB
In/output connectors:	F - connector
Power source:	230VAC
Weight :	1,0kgs
Dimensions:	170x261x60mm



SPECIFICATIONS: TRDA

Amplification:	10-30dB
Frequency:	0,15-860Mhz
Max. Output:	110dBuV
In/output connectors:	F-connector
Power source:	230VAC
Weight:	1,3kgs
Dimension:	170x180x60mm



SPECIFICATIONS: TRF1

Amplification:	20-22dB
Frequency range:	47-860 Mhz
Sensitivity:	>2,8dB
1 dB compression:	107dBuV
In / out impedance:	75ohm
Frequency traps:	154-162Mhz
Power source:	from TRAI
Input connector:	UHF plug (PL259)
Output connector:	F – connector
Weight:	0,10kgs
Dimensions:	87x26x26mm



A special start-up commissioning / service kit can also be supplied from Jotron Phontech:

Art. no. 17183



Agent/Distributor:

Jotron Phontech AS reserves the right to change the design and/or specifications at any time without prior notice. Reservations are also taken towards any general errors that may occur.

v.A

www.jotron.com

CONTACT INFORMATION

Jotron Phontech AS
P.O.Box 274
3192 Horten
Norway
Tel: +47 33 08 35 00
Fax: +47 33 08 35 01
sales@jotron.com

Jotron UK Ltd.
Crosland Park
Cramlington
NE23 1LA
United Kingdom
Tel: +44 (0) 1670 712000
Fax: +44 (0) 1670 590265
sales@jotron.com

Jotron Asia Pte. Ltd.
19 Loyang Way
Changi Logistics Centre
Rear Office Block 04-26
Singapore 508724
Tel: +65 65426350
Fax: +65 65429415
sales@jotron.com

Jotron USA, Inc.
10645 Richmond Avenue, Suite 170
Houston, TX 77042
USA
Tel: +1 713 268 1061
Fax: +1 713 268 1062
sales@jotron.com